

Jefferson County
Board of Commissioners
Agenda Request

To: Board of Commissioners
Philip Morley, County Administrator

From: Frank Gifford, Public Works Director

Agenda Date: September 6, 2011

Subject: Change Order No. 1, Willoughby Creek Bridge Repair, Upper Hoh Rd. M.P. 3.50, Federal Aid Project No. ER-0902(318), County Project No. X01825

Statement of Issue: Change Order No. 1 with Seton Construction for the Willoughby Creek Bridge Repair, County Project No. X01825.

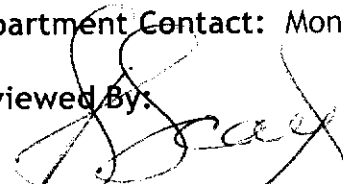
Analysis/Strategic Goals/Pro's & Con's: High flows in Willoughby Creek, beginning on January 6, 2009 scoured the west bridge approach, causing damage to the riprap abutment protection and threatening the approach roadway. This project involves constructing a sheet pile retaining wall on one end of the bridge. Change Order No. 1 is necessary in order to make a required change to one of the retaining wall details.

Fiscal Impact/Cost Benefit Analysis: Change Order No. 1 will increase the contract amount by \$2,274.95, from \$523,670.97 to \$525,945.92. This will be funded at 86.5% by the Federal Highway Administration, and 13.5% by the County Road Fund.

Recommendation: Public Works recommends that the Board execute all three originals of Change Order No. 1 with Seton Construction and return two (2) copies to Public Works for further processing.

Department Contact: Monte Reinders, County Engineer, 385-9242.

Reviewed By:

For 
Philip Morley, County Administrator

8/31/11
Date

Ordered by County Engineer under terms of <input checked="" type="checkbox"/> Section 1 - 04. 4 of the Standard Specifications <input type="checkbox"/> Change proposed by Contractor	Contract No. XO1825 To: Seton Construction 4640 S. Discovery Road Port Townsend, WA 98368
Enclosed by <u><i>Seton Construction</i></u> Contractor Firm Name <u><i>8-10-11</i></u> Date <u><i>Robert Adair</i></u> Signature <u><i>Robert Adair</i></u> Title	Project Title Willoughby Creek Bridge Repair
Consent given by Surety: (when required) By: _____ Attorney-in-fact Date	

You are ordered to perform the following described work upon receipt of an approved copy of this change order:

The plans are hereby modified as follows:

1. Sheet 8, Steel Wale Details is replaced with the attached Sheet 8, Steel Wale Details I.
2. Sheet 9, Steel Wale Details 2 is replaced with the attached Sheet 9, Steel Wale Details II.

The changes to Sheets 8 and 9 will require additional labor, materials, and equipment, as detailed on the attached estimate. To account for these additional costs, the lump sum price for "SHEET PILE WALER AND DEADMAN SYSTEM" will be increased by the amount of \$2,274.95, from \$26,250.00 to \$28,524.95.

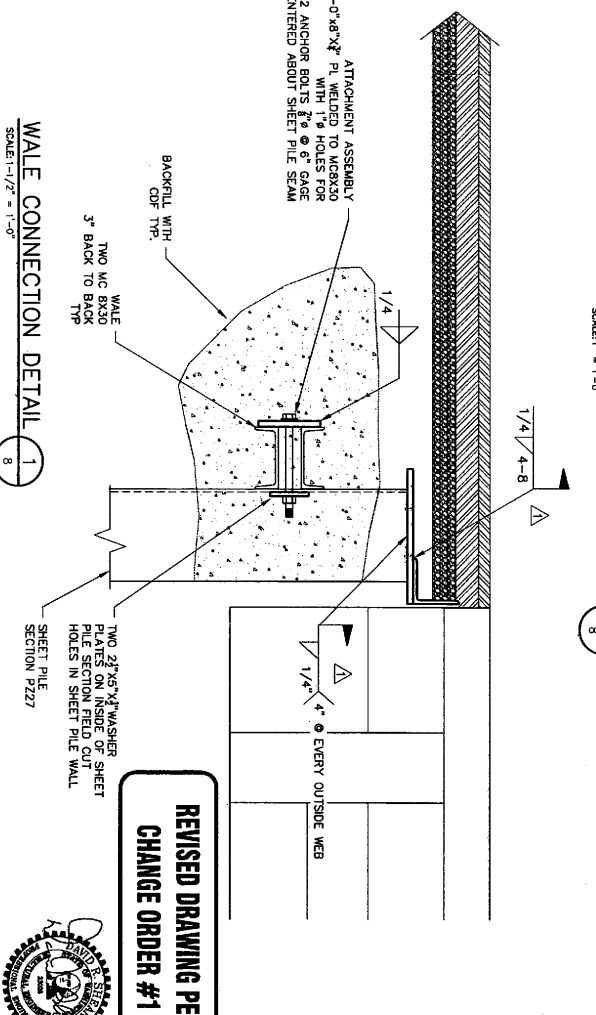
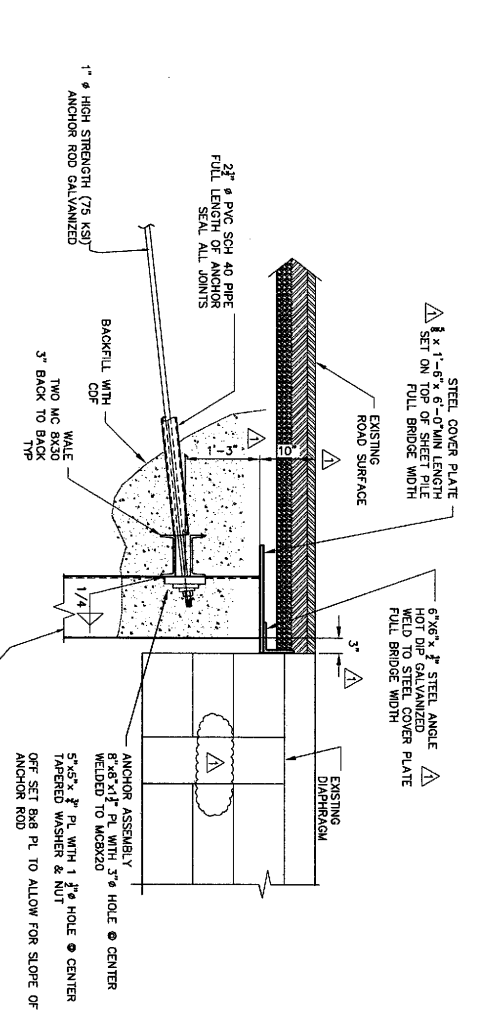
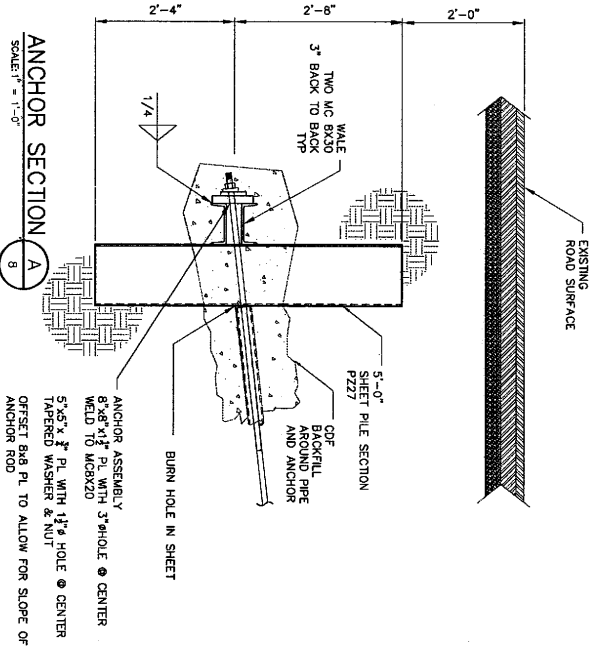
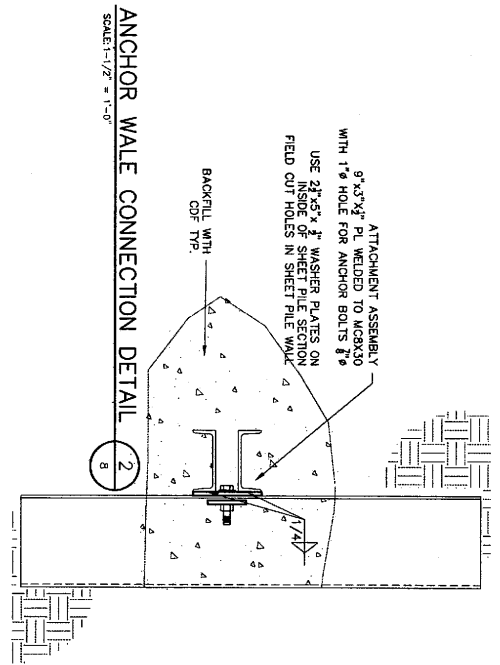
Approved as to form only:

David Ahmy 8/25/2011
 Jefferson Co. Prosecutor's Office

All work materials and measurement to be in accordance with the provisions of the standard specifications and special provisions for the type of construction involved.

ORIGINAL CONTRACT AMOUNT	CURRENT CONTRACT AMOUNT	ESTIMATED NET CHANGE THIS ORDER	ESTIMATED CONTRACT TOTAL AFTER CHANGE	
\$523,670.97	\$523,670.97	\$2,274.95	\$525,945.92	
ORIGINAL CONTRACT TIME	CURRENT CONTRACT TIME	CONTRACT TIME CHANGE (Add/Del)	NEW CONTRACT TIME	
45 days	45 days	zero	45 days	

APPROVAL RECOMMENDED <input checked="" type="checkbox"/> <u><i>Mark Houston</i></u> 8-15-11 Project Manager Date	APPROVAL RECOMMENDED <input checked="" type="checkbox"/> <u><i>[Signature]</i></u> 8-22-11 County Engineer Date
APPROVAL RECOMMENDED <input checked="" type="checkbox"/> <u><i>[Signature]</i></u> 8-19-11 Engineering Services Manager Date	APPROVED <input type="checkbox"/> Chair, Jefferson County Commissioners Date



REVISED DRAWING PER CHANGE ORDER #1

NO.	REVISION	BY	DATE	APPROVED	CIT. ENGINEER	SCALE	DATE	ORIGINAL DRAWING ACCURACY
1	WALE MODIFICATIONS	J.P.	8/20/11			AS NOTED		1"

DESIGNED	CHECKED	PROJECT NO.	PROJECT NO.
J.P.	J.P.	105	105
DATE	DATE	CIT. ENGINEER	CIT. ENGINEER
8/20/11	8/20/11	J.P.	J.P.

JEFFERSON COUNTY	SHEARER DESIGN	JEFFERSON COUNTY
Department of Public Works	L.L.	Department of Public Works
3813 Parkway Ave. #14	3813 Parkway Ave. #14	3813 Parkway Ave. #14
Jefferson County	Jefferson County	Jefferson County
STEEL WALE DETAILS 2	STEEL WALE DETAILS 2	STEEL WALE DETAILS 2

SHEET	9 OF 12
FILE NO.	6/10/11



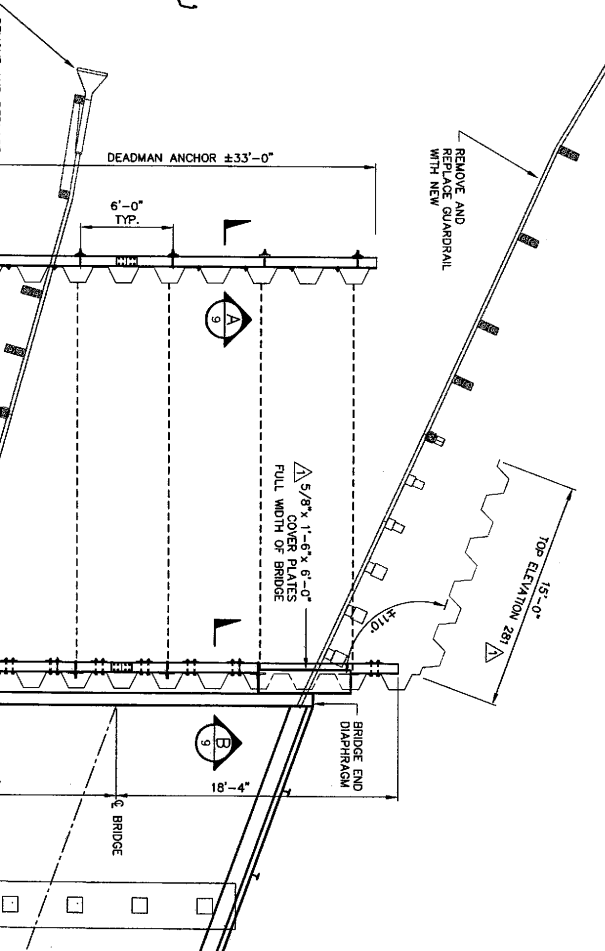
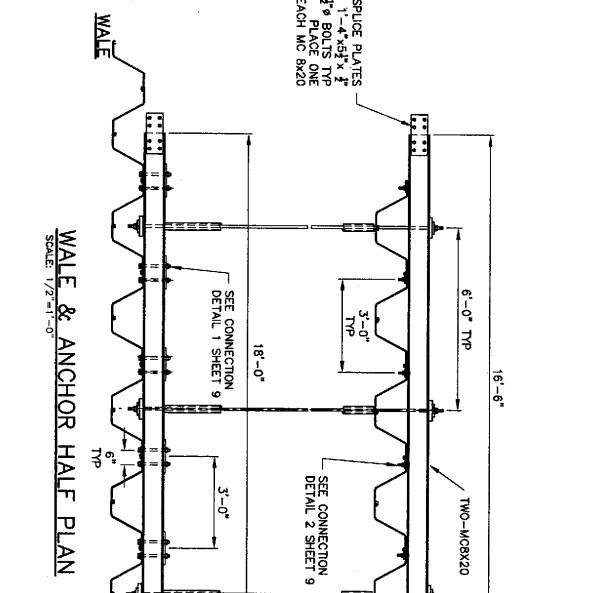
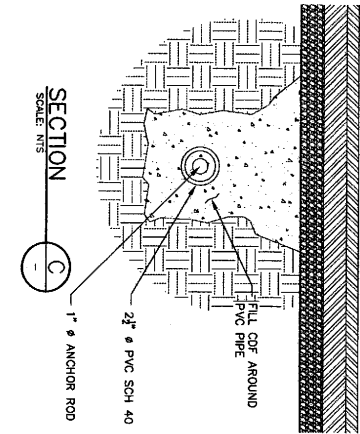
NO.	DESCRIPTION	DATE	BY	CHECKED	DATE	SCALE	DATE	SCALE
1	WALE REVISIONS	8/20/11	JP	JP	8/20/11	AS NOTED		

JEFFERSON COUNTY
Department of Public Works

SHEARER DESIGN
3815 Parkway, Suite 100
Jefferson, MO 64131
(816) 251-1800
shearerdesign.com

Jefferson County
Steel Wale Details

SHEET 8 OF 12
FILE NO. 6/10/11



MATERIAL NOTES

- STEEL WALE AND PLATES ASTM A-36
- BOLTS NUTS AND HARDWARE FOR WALTER BEAM ASTM A325
- SHEET PILE & ANCHOR PZ 27 ASTM 572 GRADE 50
- ALL THREAD ANCHOR ROD GRADE 75-ASTM A815 GALVANIZED
- ALL STEEL COMPONENTS EXCEPT SHEET PILE GALVANIZED PER ASTM A-123
- ALL BOLTS AND HARDWARE GALVANIZED PER ASTM A-153
- SHEET PILE COATED WITH COAL TAR EPOXY (SEE SPECIAL PROVISIONS)

REMOVED DRAWING PER CHANGE ORDER #1

